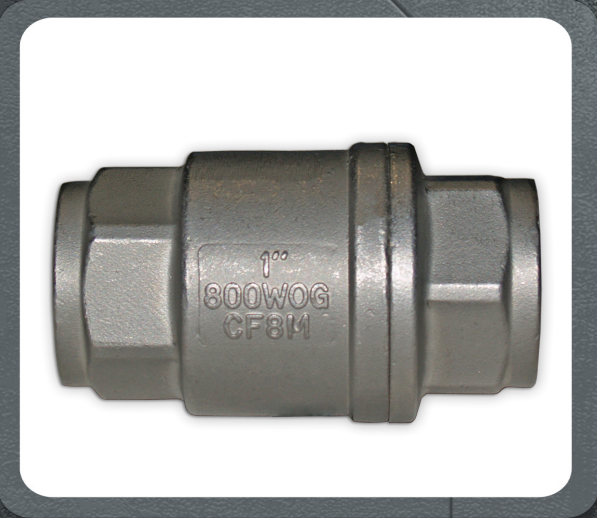
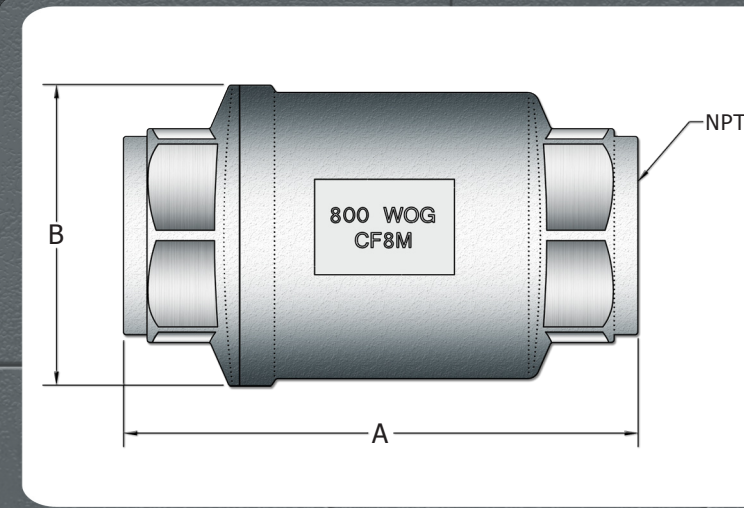


SCI SERIES CHECK VALVE



- ### Features:
- 316 Stainless Steel CF8M
 - Soft Seat Bubble Tight 1/2 psi Cracking Pressure
 - Max Working Pressure 800 psi WOG
 - 125 WSP Saturated Steam
 - P.T.F.E., Seat Temperature Range +10°F to 450°F



Dimensions

| PART # | NPT SIZE | A | B | Cv |
|--------|----------|------|------|------|
| SCI-2 | 1/4" | 2.31 | 1.35 | 3.5 |
| SCI-3 | 3/8" | 2.31 | 1.35 | 3.5 |
| SCI-4 | 1/2" | 2.31 | 1.35 | 5.2 |
| SCI-6 | 3/4" | 2.87 | 1.81 | 10.0 |
| SCI-8 | 1" | 3.50 | 2.13 | 15.0 |
| SCI-10 | 1-1/4" | 4.18 | 2.46 | 24.5 |
| SCI-12 | 1-1/2" | 4.93 | 2.88 | 35.2 |
| SCI-16 | 2" | 6.00 | 3.56 | 52.0 |

Bill of Materials

| Material | Description |
|--------------|---------------------|
| Body | ASTM A351-CF8M |
| Center Guide | |
| Disc | |
| End Cap | 316 Stainless Steel |
| Spring | |
| Seat | PTFE |
| Gasket | |

